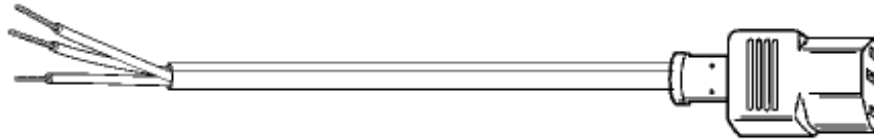


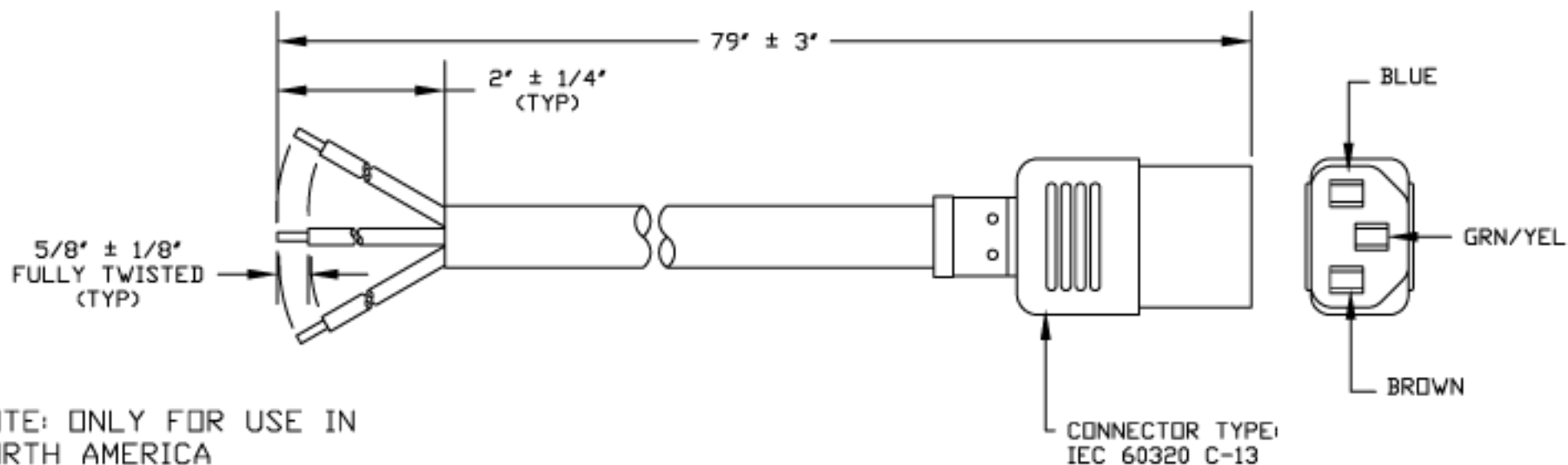
VOLEX

GROUP

Standard Cord Details: 17518 10 B1

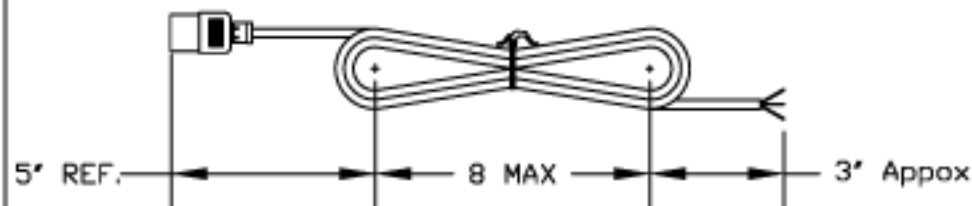


Specifications	
Certifications	
Part Number	17518 10 B1
Connector Type	C13
Plug Type	none
Category	Plastic
Application	Non-Detachable
Plug Catalog No.	
Connector Catalog No.	
Cable	SJT AWG 18x3
Jacket Color	black
Length in Feet	6'7_
Length in Meters	2
Temperature Rating	60 C
Packaging Units Per Carton	H-100,H25
Color Coding	International
Nominal OD in Inches	0.315
Nominal OD in Millimeters	8



VOLEX RESERVES THE RIGHT TO ALTER NON-CRITICAL DIMENSIONS WITHOUT NOTICE.

PACKAGING: FOLD & TIE



NOTES:

- 1) CORDAGE: 18/3/SJT/60°C/BLACK
- 2) APPROVALS:
- 3) RATING: 10A/125V; 10A/250V
- 4) FLAME RATING: FT2
- 5) CORDAGE O.D.: .315" (REF.)
- 6) PACKAGING: 100 PIECES/CARTON
- 7) ALL DIMENSIONS IN inches.

1	C.U.D - NEW RELEASE	5/9/06
REV	DESCRIPTION	DATE
SCALE: NOT TO SCALE	ECD: N/A	ITEM DESCRIPTION: CORDSET- NORTH AMERICAN WIRE HARNESS
TOLERANCE UNLESS OTHERWISE SPECIFIED .XXX ± .005 .XX ± .02 .X ± .03 FRACT. ± 1/32 ANGULAR ± 1/2°		APPROVED: STC
		DRAWN BY: CLR
		DATE: 12/06/05
PART NO.		17518 10 B1



- Indianapolis, IN
- Conover, N.C.
- Freemont, CA
- Aguascalientes, MX
- Tijuana, Mexico
- Hermosillo, MX
- Clinton, AR
- Kanata, Canada

Proprietary Notice:

This document is the property of Volex Incorporated. The information contained herein is not to be disclosed to anyone without the express written consent of Volex Inc.

MATERIAL:
CONNECTOR: PVC, BLACK
JACKET: PVC, BLACK

FINISH:
JACKET: SMOOTH